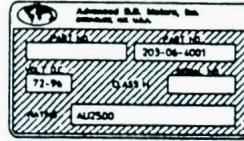
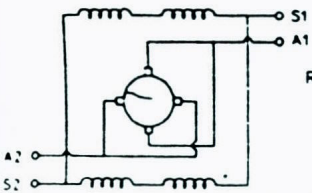
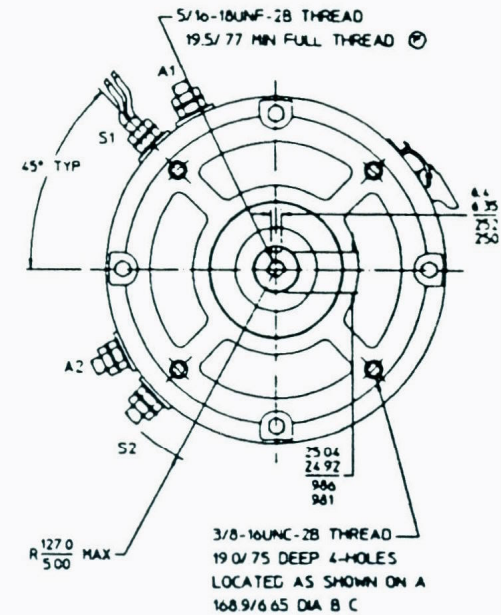
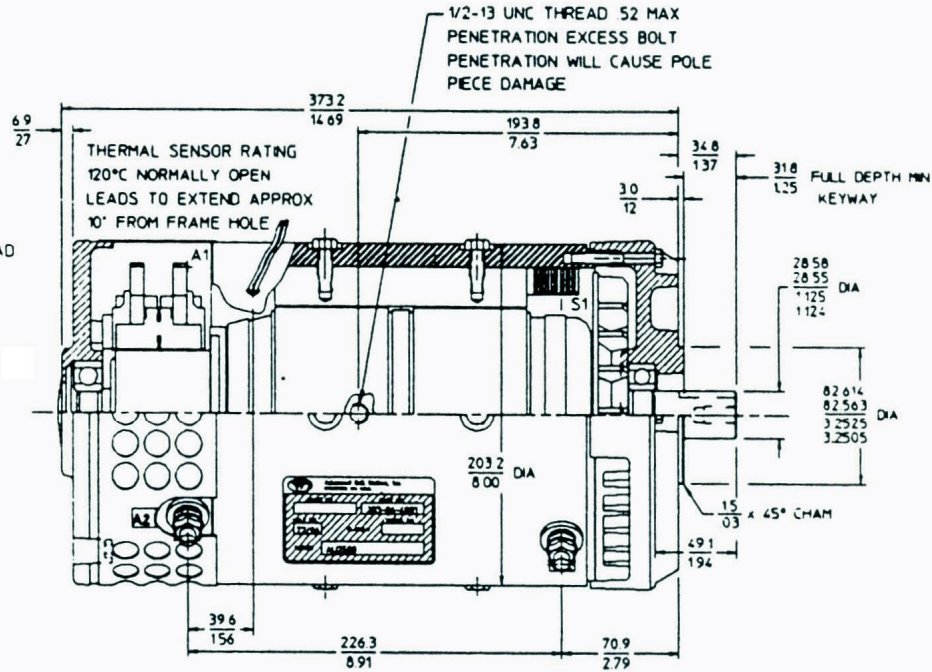
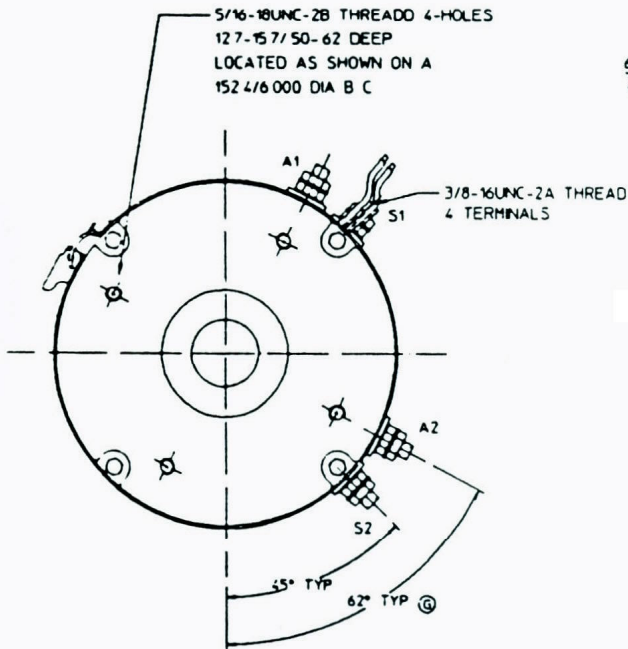


- NAME LABEL STAMPED WITH ADVANCED PART NO 203-06-4001 & 72-96 VOLTS
- NAME LABEL STAMPED WITH UL. ID. NO. AU2500 & CURRENT DATE IN RATING BOX
- CODE DATE STAMPED ON FRAME NEAR NAME LABEL



OUTLINE DIMENSIONS ARE NOMINAL UNLESS TOLERANCES ARE SPECIFIED



WIRING DIAGRAM

- ROTATION - REVERSIBLE
C.W.D.E.
CONNECT S1 TO ONE BATTERY TERMINAL
CONNECT S2 TO A1
CONNECT A2 TO OTHER BATTERY TERMINAL
C.C.W.D.E.
CONNECT S1 TO ONE BATTERY TERMINAL
CONNECT S2 TO A2
CONNECT A1 TO OTHER BATTERY TERMINAL

- CLASS "F" INSULATION
- FINISH: FRAME-BLACK PAINT
END HEADS-NATURAL ALUMINUM
- VENTILATED MOTOR WITH FAN
- DESIGNED WITH INTENT TO MEET UL. SPEC# 583 LATEST EDITION FOR TYPE 'E' & 'EE' INDUSTRIAL ELECTRIC MOTORS
- PERFORMANCE CURVE C-178 ©
- MOTOR WEIGHT- 107lbs
- MOTOR DESIGNED TO OPERATE IN C.C.W. ROTATION FORWARD VEHICLE OPERATION