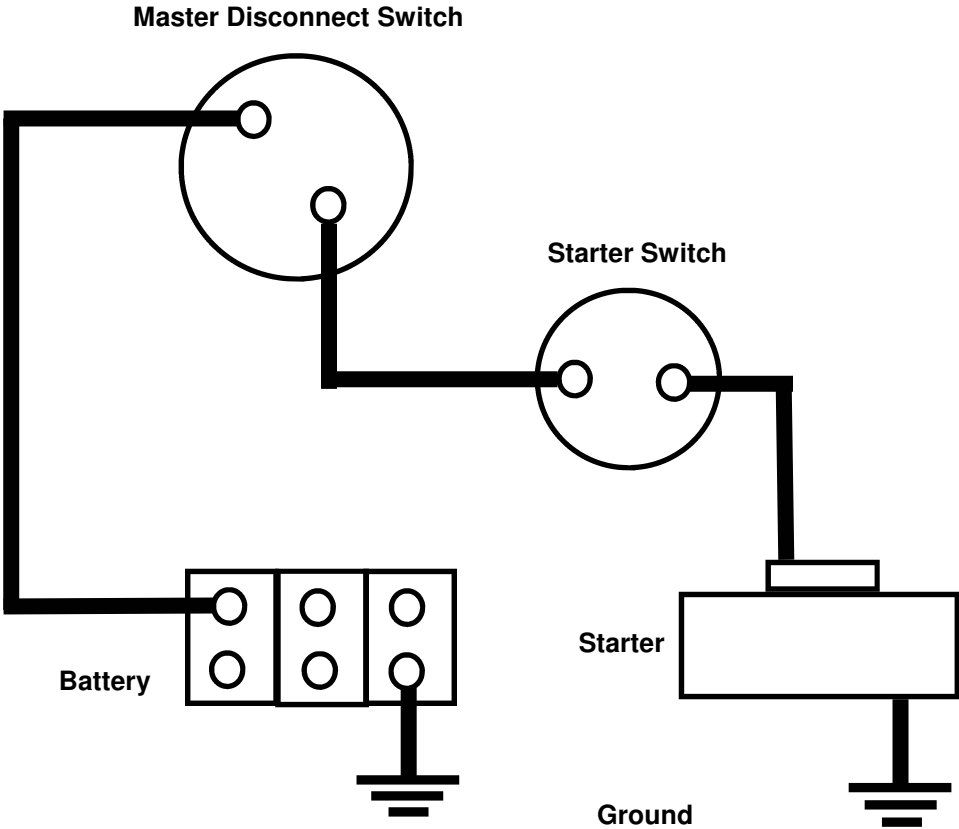


Wiring Diagram for S.P.S.T. Master Disconnect Switch SW5511



Hex nuts against base must remain stationary; must not be tightened or loosened. Secure power cables to mounting surface no greater than 10" from switch mounting to remove strain from studs.