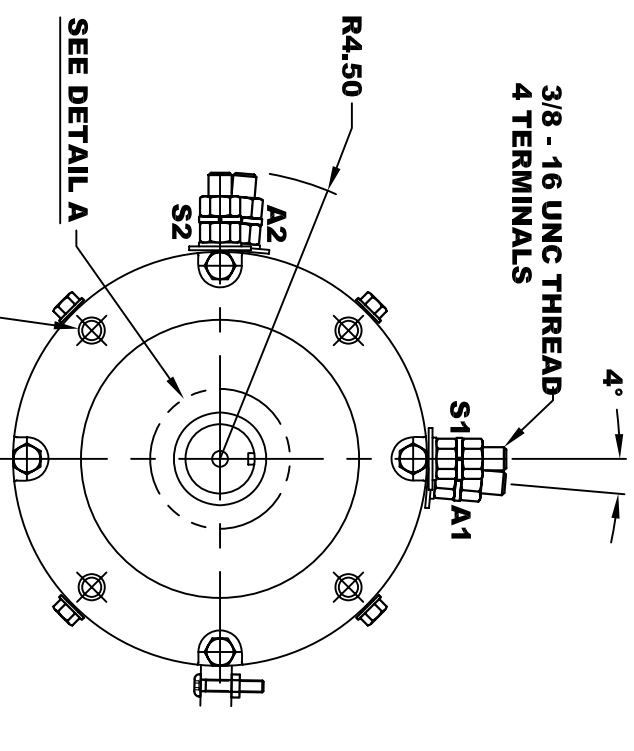
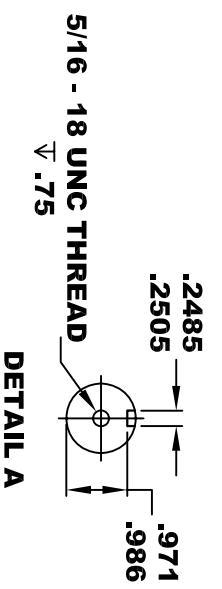
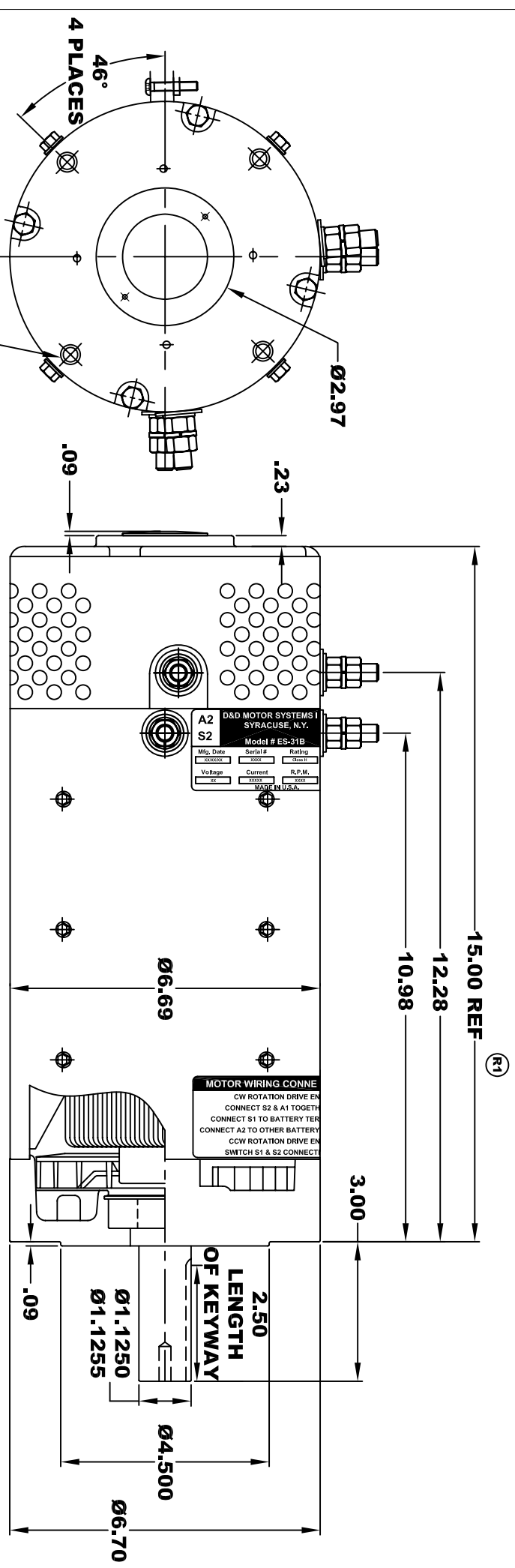


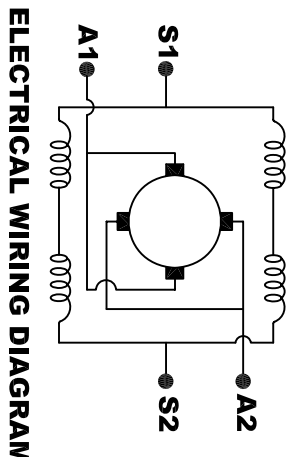
D&D MOTOR SYSTEMS INC.		A1	
SYRACUSE N.Y.		S1	
Model # ES-31B			
Mfg. Date	Serial #	Rating	Duty
XX/XX/XX	XXXX	Class H	S2 - XX MIN
Voltage	Current	R.P.M.	H.P.
XX	XXXXX	XXXX	XX
MADE IN U.S.A.			

**TORQUE SPECIFICATION FOR
POWER CABLE SECURING TOP NUTS**
3/8-16 UNC - 140 IN / LBS MAX



MOTOR WEIGHT: 83 LBS
CLASS "H" INSULATION
PERFORMANCE SPEC: 16

MOTOR WIRING CONNECTIONS:
CW ROTATION DRIVE END
 CONNECT S2 & A1 TOGETHER
 CONNECT S1 TO BATTERY TERMINAL
CCW ROTATION DRIVE END
 CONNECT A2 TO OTHER BATTERY TERMINAL
 SWITCH S1 & S2 CONNECTIONS



THIS PRINT IS THE PROPERTY OF D&D MOTOR SYSTEMS INC.
 DO NOT SCALE
 WORK TO DIMENSIONS
 TOLERANCES UNLESS OTHERWISE SPECIFIED ARE AS FOLLOWS
 .XX _____ .01
 .XXX _____ .005
 .XX ROUGH CASTING _____ .03
 HOLES _____ -.001 / +.006
 ANGLES _____ 0°30"

D & D MOTOR SYSTEMS INC			
MOTOR OUTLINE			
SIZE	DRAWN DATE	RELEASE DATE	DWG NO. / PART NO.
B	1-6-04		ES-31B
SCALE	DRAWN BY	REV DATE	REV
STF	MJG	2-23-04	R1